

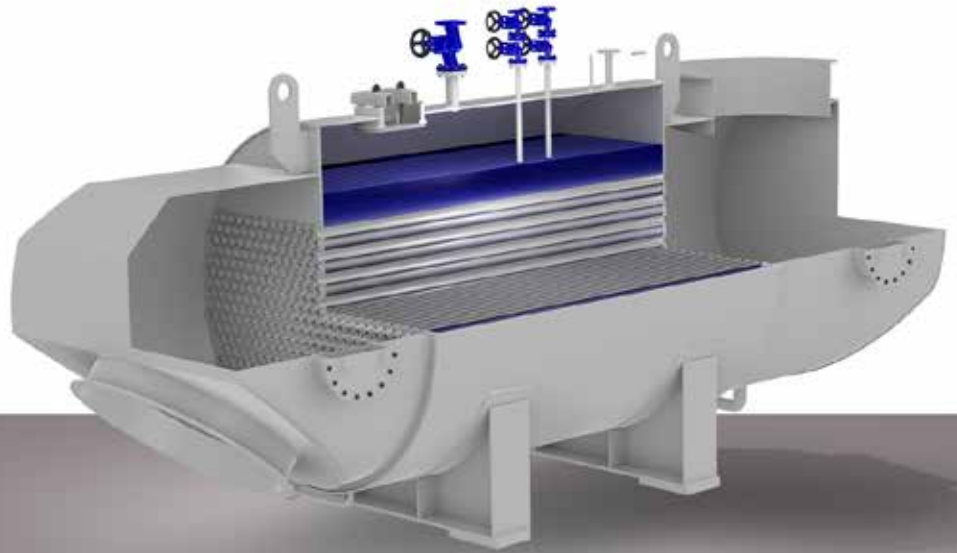
LNG carriers

Dry cargo vessels

FPSO applications

Passenger vessels

Tankers



Exhaust Gas Marine Boiler/Economizer EMB/EME-HST

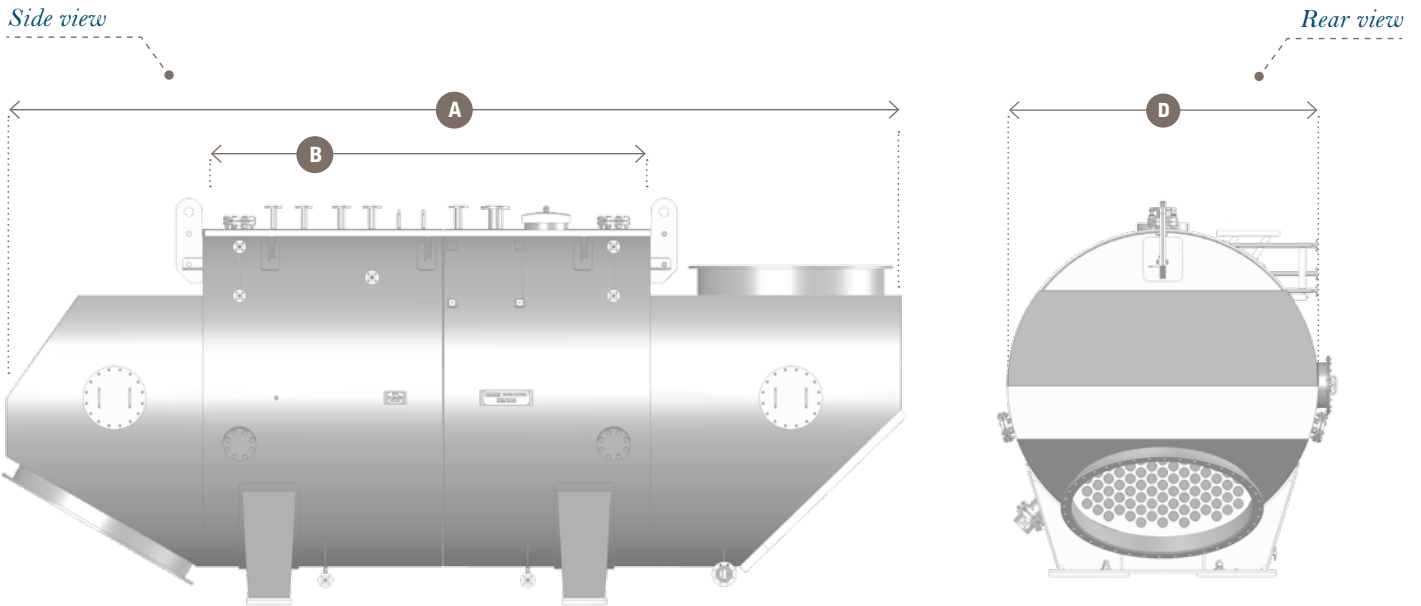
The EMB/EME-HST is a horizontal smoke tube exhaust gas boiler respectively economizer that also fulfils partly the function of a silencer in the exhaust gas system.

The heat transfer is performed through plain smoke tubes which are easy to clean. The exhaust gas boiler EMB-HST has its own steam space and therefore it works independently from other boilers in the system. The exhaust gas economizer EME-HST has to be connected to a fired boiler or a separate steam drum by means of forced circulation. The EMB/EME-HST is suitable for dry running in emergency case.

Technical data: EMB/EME-HST

Steam capacity	On request
Design pressure	Up to 2.2 MPa

Dimensions EMB/EME-HST



Product information

- ✓ Horizontal smoke tube exhaust gas boiler respectively economizer
- ✓ Easy to clean
- ✓ EMB-HST works independently from other boilers in the system
- ✓ Suitable for dry running in emergency case
- ✓ For liquid and gaseous fuels

Boiler data

Steam capacity	Design pressure	Main engine	A	B	D*	Dry weight**	Water content at NWL
t/h	MPa		mm	mm	mm	kg	m ³
2.3	0.9	MAN B&W 7L 70 MC-C, at 90 % MCR ISO condition	7,300	3,650	2,910	23,200	10.3
1.0	1.0	MAN B&W 7S 50 MC-C, at 85 % MCR ISO condition	5,100	2,890	2,550	17,000	8.7

* including insulation ** including insulation and valves

