

## Technical data sheet

Fired marine boiler FMB-VF-LONOX®

**SAACKE** MARINE SYSTEMS

LNG carriers

Dry cargo vessels

FPSO applications

Passenger vessels

Tankers



## Fired Marine Boiler FMB-VF-LONOX®

The FMB-VF-LONOX is a vertical two-pass fired boiler. Heat transfer is performed through the corrugated or plain flame tube furnace and a number of plain smoke tubes. The design of the flame tube entrance for burner mounting allows a minimum of burner refractory which significantly enhances operational reliability.

The FMB-VF-LONOX boiler is designed to incorporate proven Low NO<sub>x</sub> Combustion Systems. In order to meet lowest emission levels the boiler package is equipped with flue gas recirculation. Flue gas recirculation, in conjunction with Marine Gas Oil (MGO) fuels, enables compliance with current and known future emission regulations and will allow boiler operation in ports worldwide. For Heavy Fuel Oil (HFO) firing the combustion system can be equipped with water injection to improve solid particle emission levels.

### Technical data: FMB-VF-LONOX®

Steam capacity	Up to 18 t/h
Design pressure	Up to 1,0 MPa

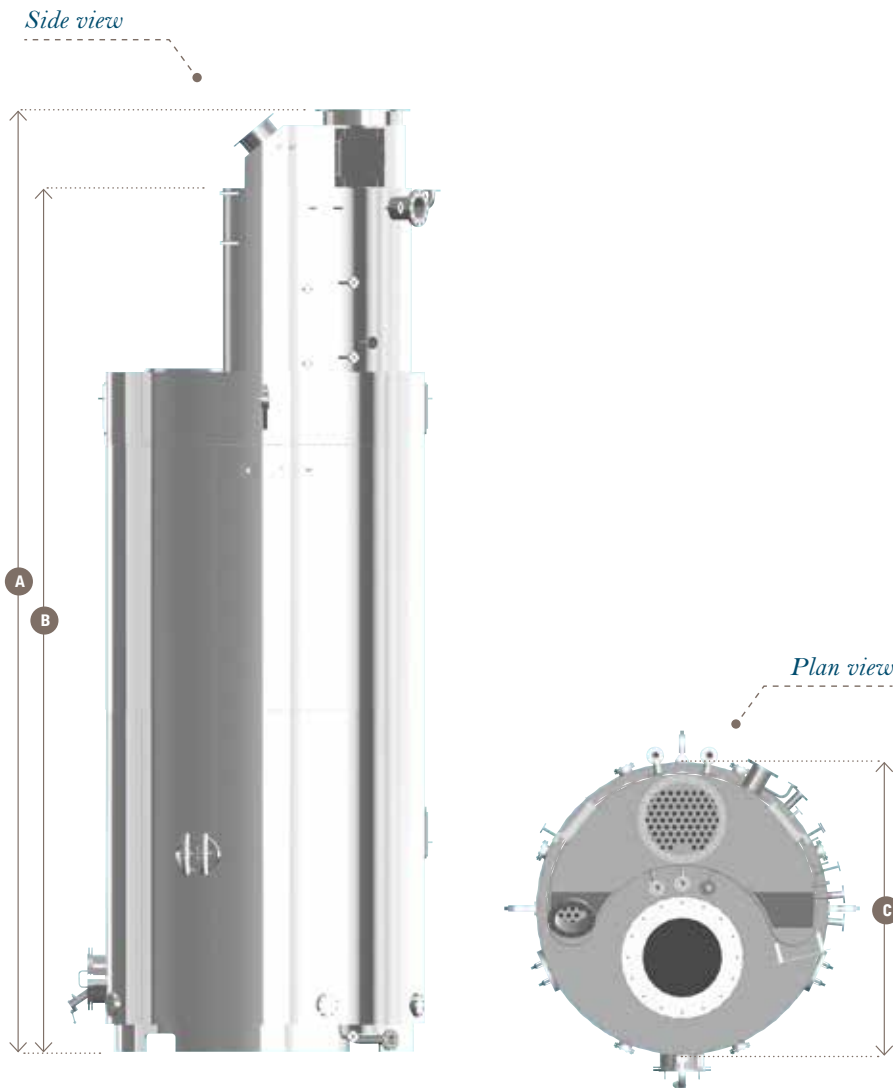
## Dimensions FMB-VF-LONOX®

### Product information

- ↘ Vertical two-pass fired boiler
- ↘ Design allows very high operational reliability
- ↘ Designed to incorporate proven Low NO<sub>x</sub> Combustion Systems
- ↘ Flue gas recirculation enables compliance with current and known future emission regulations
- ↘ Optional water injection possible
- ↘ For liquid and gaseous fuels

**18 t/h**  
*capacity*

**Low NO<sub>x</sub>**  
*capacity*



### Boiler data

Steam capacity t/h	Design pressure MPa	A mm	B mm	C* mm	Dry weight** kg	Water content at NWL m <sup>3</sup>
6	1.0	7.475	6.725	2.250	17.000	9.7
8	1.0	7.775	7.025	2.450	20.100	11.8
10	1.0	8.175	7.425	2.600	23.400	13.8
12	1.0	8.525	7.775	2.750	27.100	16.1
15	1.0	8.925	8.175	3.000	32.700	20.5
18	1.0	9.325	8.575	3.150	37.200	23.2

Data subject to plant conception and class rules. Dimension valid for fuel oil ring and may differ in case of gas firing.

\* including insulation \*\* including insulation, refractory, valves and burner

