

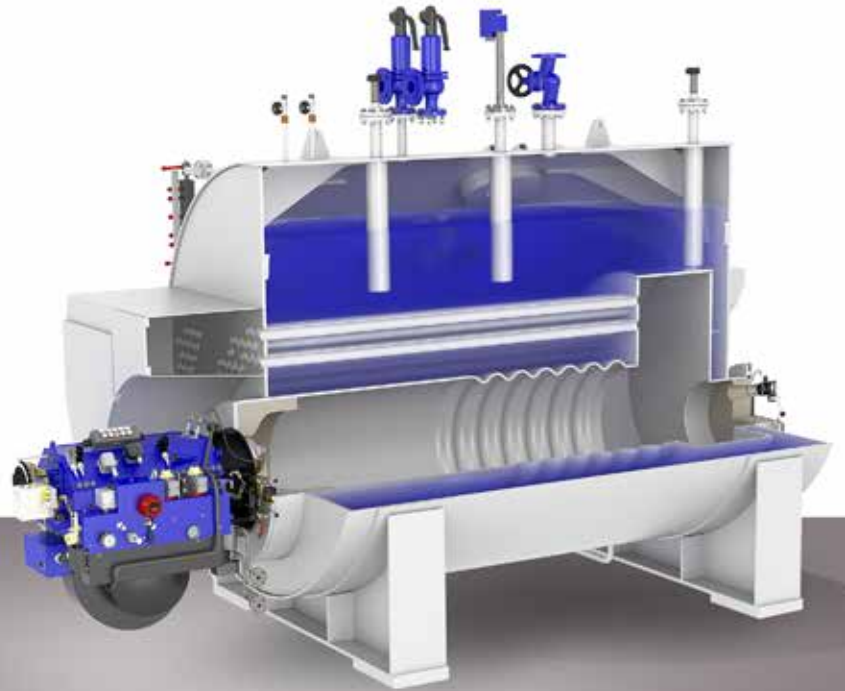
LNG carriers

Dry cargo vessels

FPSO applications

Passenger vessels

Tankers



## Fired Marine Boiler FMB-HF

The FMB-HF is a horizontal three-pass fired boiler.

Due to the third pass in the convection part the efficiency is the highest possible for marine boilers. The heat transfer is performed through the corrugated or plain flame tube furnace and a number of plain smoke tubes. These smoke tubes and the furnace can be easily accessed for cleaning and maintenance purposes through the chamber doors.

### Technical data: FMB-HF

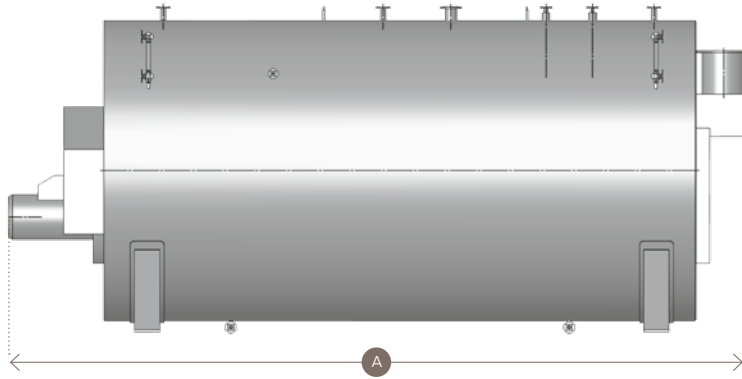
Steam capacity	Up to 10 t/h
Design pressure	Up to 1.2 MPa

## Dimensions FMB-HF

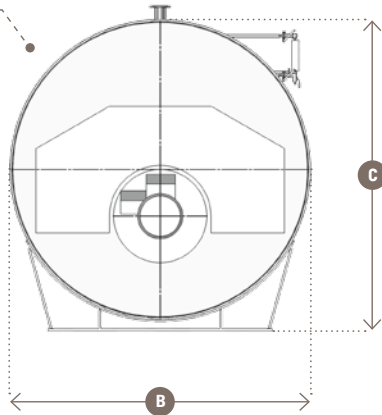
### Product information

- ↳ Horizontal three-pass fired boiler
- ↳ Highest possible efficiency for marine boilers
- ↳ Heat transfer is performed through the corrugated or plain flame tube furnace and a number of plain smoke tubes
- ↳ For liquid and gaseous fuels

Side view



Front view



### Boiler data

Steam capacity	Design pressure	A	B*	C	Dry weight**	Water content at NWL
t/h	MPa	mm	mm	mm	kg	m <sup>3</sup>
1.5	1.0	5,000	2,310	2,560	9,000	6.7
2.5	1.0	6,000	2,410	2,700	10,700	8.3
3.5	1.0	6,100	2,610	2,900	13,300	11.0
5.0	1.0	6,700	2,710	3,000	16,000	12.9
6.0	1.0	6,700	2,810	3,100	17,700	15.5
8.0	1.0	7,300	3,060	3,350	22,600	20.2
10.0	1.0	7,800	3,160	3,450	25,600	22.4

Data subject to plant conception and class rules. Dimension valid for fuel oil firing and may differ in case of gas firing.

\* including insulation \*\*including insulation, refractory, valves and burner

