

Technical data sheet

Fired Marine Boiler FMB-VL

LNG carriers

Dry cargo vessels

FPSO applications

Passenger vessels

Tankers



Fired Marine Boiler FMB-VL

The FMB-VL is a water tube type steam boiler for medium to large power range.

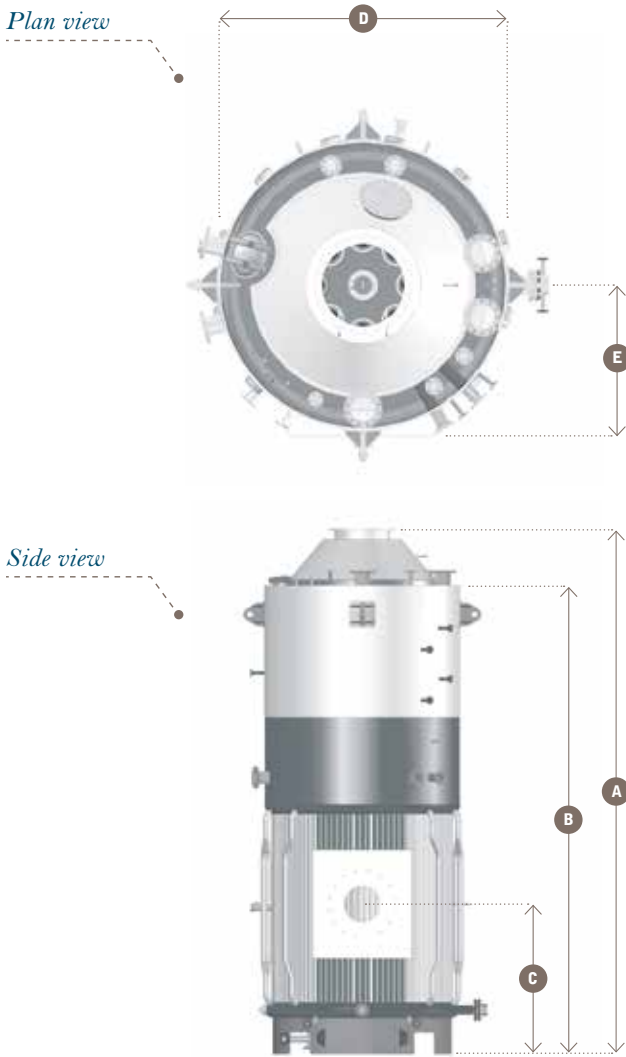
The radiation heat transfer is performed in the membrane wall furnace of cylindrical design, whilst the convection heat transfer is carried out through special pin elements.

An effective natural water circulation is ensured in all areas of the boiler by means of several external down-comer pipes connecting the water / steam drum with the ring-shaped collector at the boiler basement. The special spherical shape of the furnace top plate gives an increased stability against ship vibrations and protects this part of the boiler against partial overheating, because residues in the boiler water are led to the downcomer connections on the periphery of the drum before they can accumulate on the furnace top plate.

Technical data: FMB-VL

Steam capacity	14-45 t/h
Design pressure	Up to 1.8 MPa

Burner dimensions FMB-VL



Product information

- ↘ Water tube type steam boiler for medium to large power range
- ↘ Effective natural water circulation is ensured in all areas of the boiler
- ↘ Increased stability against ship vibrations and protection against partial overheating
- ↘ For liquid and gaseous fuels

14-45 t/h
steam capacity

1.8 MPa
design pressure

Boiler data

Steam capacity	Design pressure	A	B	C	D ¹	E	Dry weight ²	Water content at NWL
t/h	MPa	mm	mm	mm	mm	mm	kg	m ³
14	1.8	7,000	6,220	2,120	2,900	1,670	22,100	8.0
16	1.8	7,600	6,720	2,220	2,900	1,670	23,800	7.9
20	1.8	7,300	6,420	2,220	3,300	1,870	28,100	10.2
25	1.8	8,200	7,320	2,320	3,300	1,870	31,050	10.8
30	1.8	8,300	7,120	2,420	3,900	2,170	38,350	12.5
35	1.8	9,000	7,920	2,620	3,900	2,170	44,350	15.0
40	1.8	9,100	7,920	2,720	4,100	2,270	49,600	16.5
45	1.8	10,100	8,920	3,020	4,100	2,270	50,600	16.7

¹ including insulation ² including insulation, refractory, valves and burner

Data subject to plant conception and class rules. Dimension valid for fuel oil firing and may differ in case of gas firing.

