

## Technical data sheet

Fired marine boiler FMB-VM

**SAACKE** MARINE SYSTEMS

LNG carriers

Dry cargo vessels

FPSO applications

Passenger vessels

Tankers



## Fired Marine Boiler FMB-VM

The FMB-VM is a water tube type steam boiler for medium power range.

The radiation heat transfer is performed in the membrane wall furnace of cylindrical design, whilst the convection heat transfer is carried out through special pin elements / rifled plain smoke tubes. The convection part can be equipped with rifled plain smoke tubes on request up to 16 t/h steam capacity.

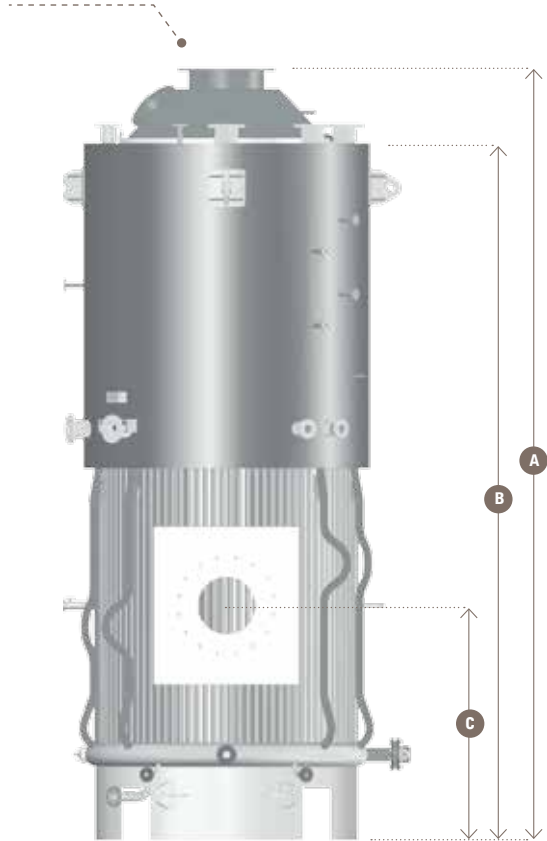
An effective natural water circulation is ensured in all areas of the boiler by means of several external down-comer pipes connecting the water / steam drum with the ring-shaped collector at the boiler basement. The special spherical shape of the furnace top plate gives an increased stability against ship vibrations and protects this part of the boiler against partial overheating, because residues in the boiler water are led to the downcomer connections on the periphery of the drum before they can accumulate on the furnace top plate.

### Technical data: FMB-VM

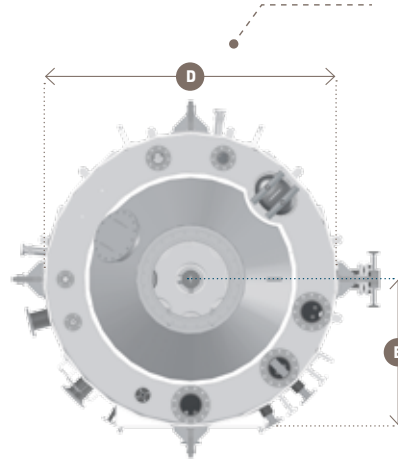
Steam capacity	6-25 t/h
Design pressure	Up to 1.0 MPa

## Dimensions FMB-VM

Side view



Plan view



### Product information

- ↘ Water tube type steam boiler for medium power range
- ↘ Effective natural water circulation is ensured in all areas of the boiler
- ↘ Increased stability against ship vibrations and protection against partial overheating
- ↘ For liquid and gaseous fuels

### Boiler data

Steam capacity	Design pressure	A	B	C	D*	E	Dry weight**	Water content at NWL
t/h	MPa	mm	mm	mm	mm	mm	kg	m <sup>3</sup>
6	1.0	5,300	4,620	1,570	2,500	1,470	12,550	5.4
8	1.0	6,000	5,320	1,820	2,500	1,470	14,900	5.3
10	1.0	6,700	6,020	2,020	2,500	1,470	15,950	5.3
12	1.0	6,500	5,720	2,020	2,900	1,670	19,000	8.1
14	1.0	7,000	6,220	2,120	2,900	1,670	21,400	8.0
16	1.0	7,600	6,720	2,220	2,900	1,670	22,700	7.9
20	1.0	7,300	6,420	2,220	3,300	1,870	26,700	10.2
25	1.0	8,200	7,320	2,320	3,300	1,870	29,650	10.8

Data subject to plant conception and class rules. Dimension valid for fuel oil firing and may differ in case of gas firing.

\* including insulation \*\* including insulation, refractory, valves and burner

